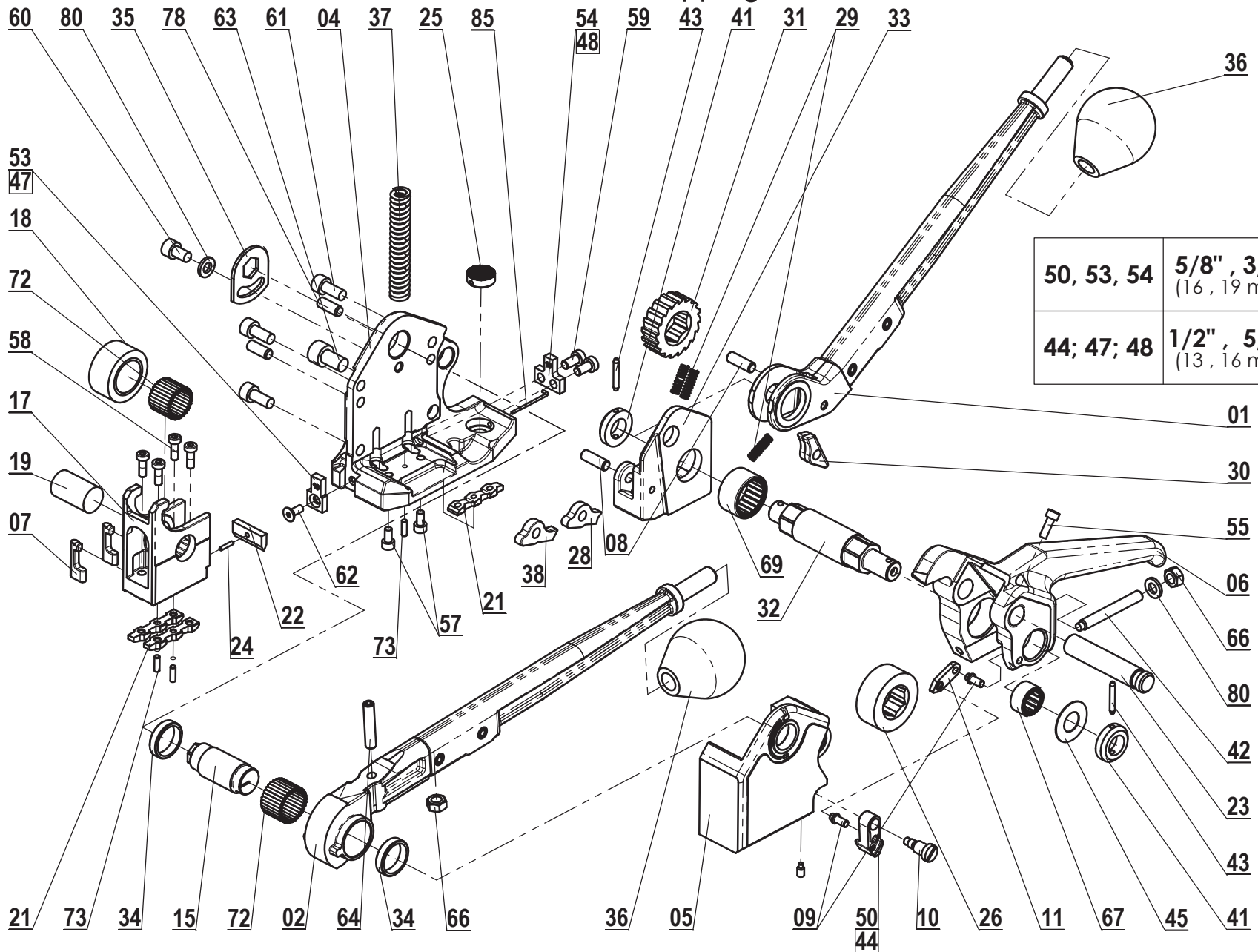


MUL-16

Sealless Combination Tool for Steel Strapping



MUL-16 PARTS LIST

Sealless Combination Tool for Steel Strapping

KEYNo16	DESCRIPTION	QTY.
16-01	TENSION HANDLE	1
16-02	SEALING HANDLE	1
16-04	FRAME	1
16-05	SIDE COVER	1
16-06	FEED WHEEL SUPPORT HANDLE	1
16-07	STRAP LIFTER	2
16-08	PAWL SHAFT	2
16-09	GUIDE ARM PIN	2
16-10	SHOULDERED SCREW	1
16-11	GUIDE ARM	1
16-15	EXCENTRIC SHAFT	1
16-17	DIE HOLDER	1
16-18	CAM FOLLOWER	1
16-19	DIE HOLDER SHAFT	1
16-21	DIE	3
16-22	CUTTER BLADE	1
16-23	FEED WHEEL SUPPORT SHAFT	1
16-24	ROLL PIN 2x9.8	1
16-25	CLUTCH PLUG (BOTTOM GRIPPER)	1
16-26	FEED WHEEL	1
16-28	RETAINING PAWL , SHORT	1
16-29	PAWL SPRING	3
16-30	HANDLE PAWL	1
16-31	RATCHET WHEEL	1
16-32	FEED WHEEL SHAFT	1
16-33	PAWL HOLDER	1
16-34	RING	2
16-35	ADJUSTMENT PLATE	1
16-36	KNOB	2
16-37	FEED WHEEL SUPPORT SPRING	1
16-38	RETAINING PAWL, LONG	1
16-41	WASHER	2
16-42	ADJUSTMENT SCREW	1
16-43	PIN 3x22	2
16-44	STRAP GUIDE PAWL, 1/2" – 5/8"	1
16-45	WASHER	1
16-47	STRAP GUIDE, FRONT, 1/2" – 5/8"	1
16-48	STRAP GUIDE, REAR, 1/2"- 5/8"	1
16-50	STRAP GUIDE PAWL, 5/8" – 3/4"	1
16-53	STRAP GUIDE, FRONT, 5/8" – 3/4"	1
16-54	STRAP GUIDE, REAR, 5/8" - 3/4"	1
16-55	SCREW M4x12	1
16-56	RETENTION SCREW M4x8	1
16-57	SCREW M4x8	2
16-58	SCREW M4x12	4
16-59	SCREW M5x10	2
16-60	SCREW M6x10	1
16-61	SCREW M6x14	3
16-62	SCREW M4x10	1
16-63	SCREW M8x14	1
16-64	ADJUSTMENT SCREW M6x30	1
16-66	NUT M6	2
16-67	SMALL BEARING	1
16-69	LARGE BEARING	1
16-72	SUPPORT ROLLER 2x15.8	59
16-73	DOWEL PIN 3x10	3
16-78	ROLL PIN 6x16	2
16-80	WASHER	2
16-85	RETAINING WIRE	1