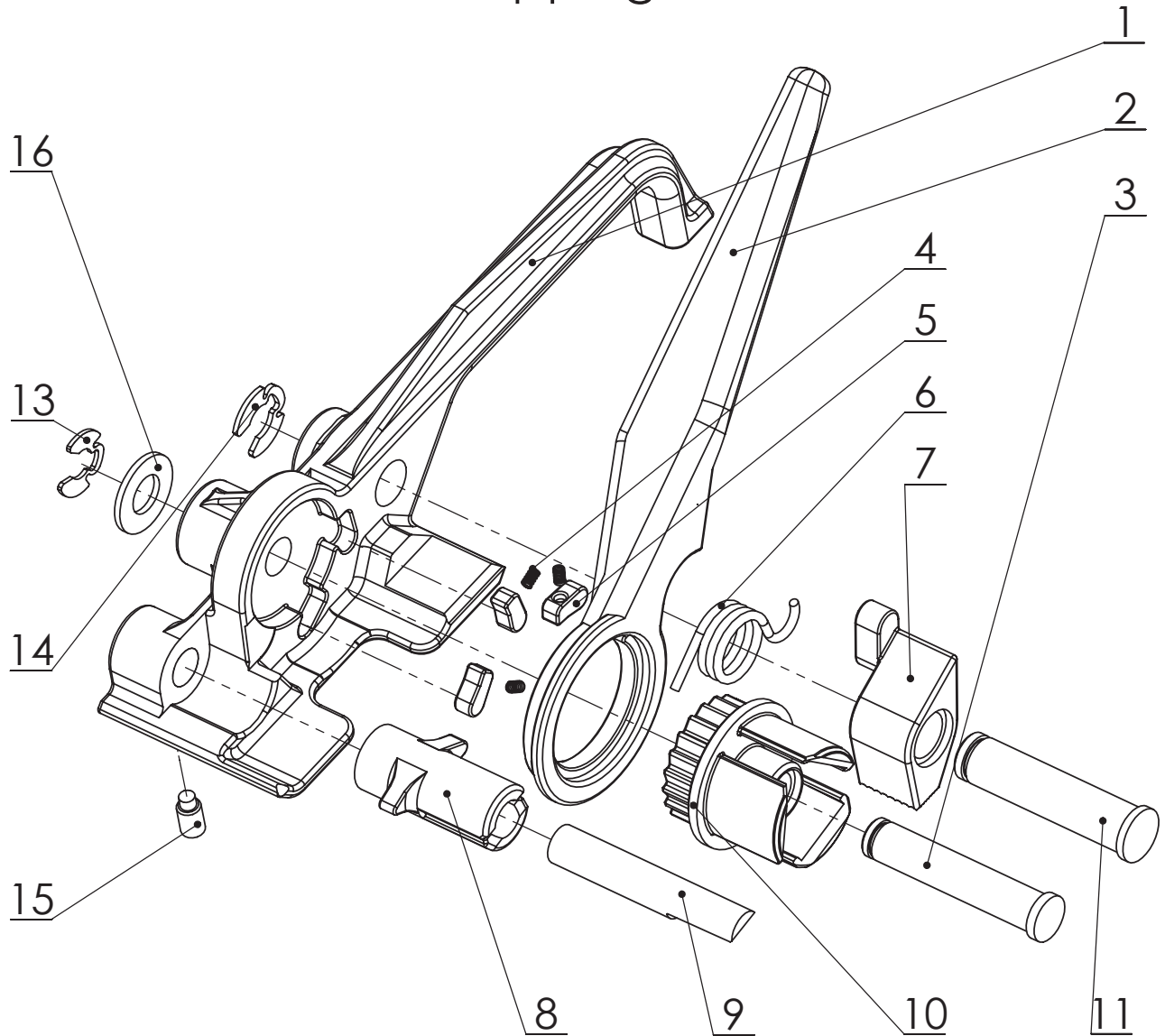


# MUL-360

## Plastic Strapping Tensioner



KEY No.	PART DESCRIPTION	QTY.
360-01	FRAME	1
360-02	HANDLE	1
360-03	SHAFT	1
360-04	PAWL SPRING	3
360-05	PAWL	3
360-06	MAIN SPRING	1
360-07	GRIPPER	1
360-08	PIVOTED CUTTER	1

KEY No.	PART DESCRIPTION	QTY.
360-09	CUTTER	1
360-10	WINDLASS	1
360-11	GRIPPER SHAFT	1
360-13	CLIP RING 10	1
360-14	CLIP RING 12	1
360-15	SET SCREW M6x12 DOG POINT	1
360-16	WASHER 3/8	1