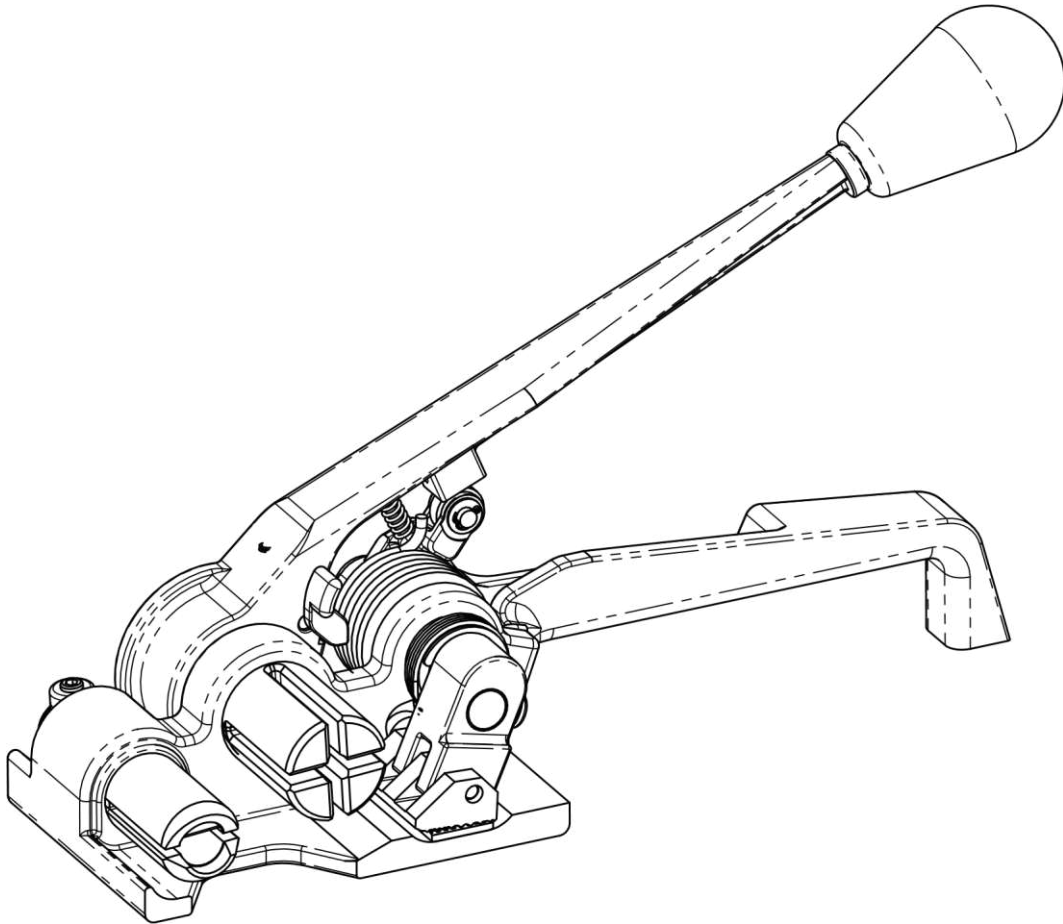


MUL-370 Tensioner for POLYESTER

Operation Manual



Strap Type	Polyester (PET)
Strap Width	3/4" (19 mm) to 1 1/4" (32 mm)
Strap Thickness	All existing straps
Joint Type	Seal
Weight	6.5 lbs (3 kg)
Footprint	L: 4.75"; W: 3.5"
Handle Length	12"

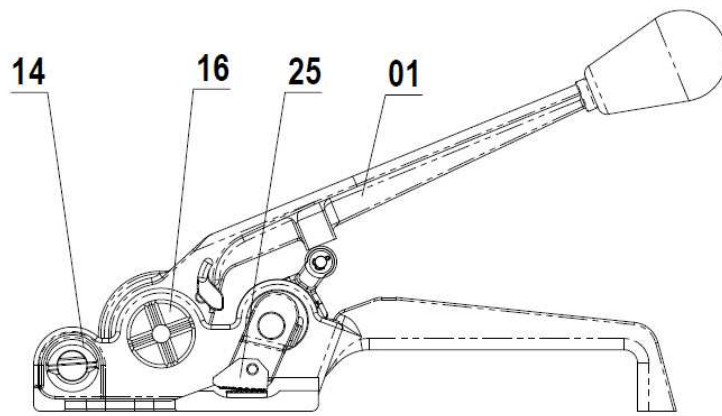


Fig. 1 – Starting Position

1. Raise **Gripper Foot 25** by pressing down on **Tension Handle 01**. Load bottom strap **101** under **Cutter Housing 14**, under **Gripper Foot 25** and leave at least 2" of the strap extended out from the front of the tool for seal placement as shown on Fig. 2.

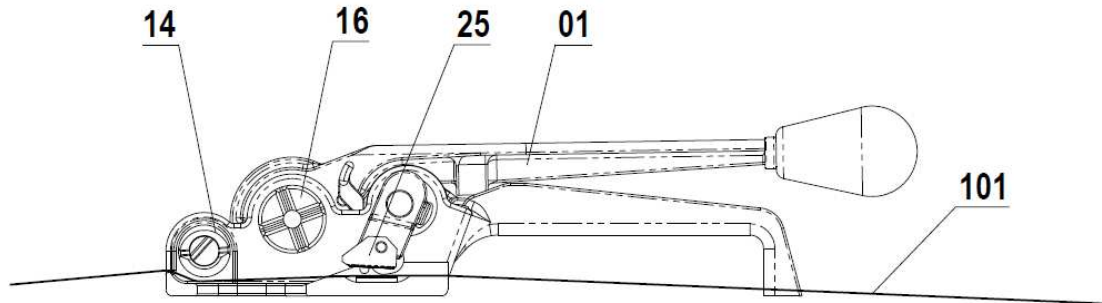


Fig. 2

2. Load upper strap **100** through **Cutter Housing 14**, through **Windlass 16** as shown on Fig. 3.

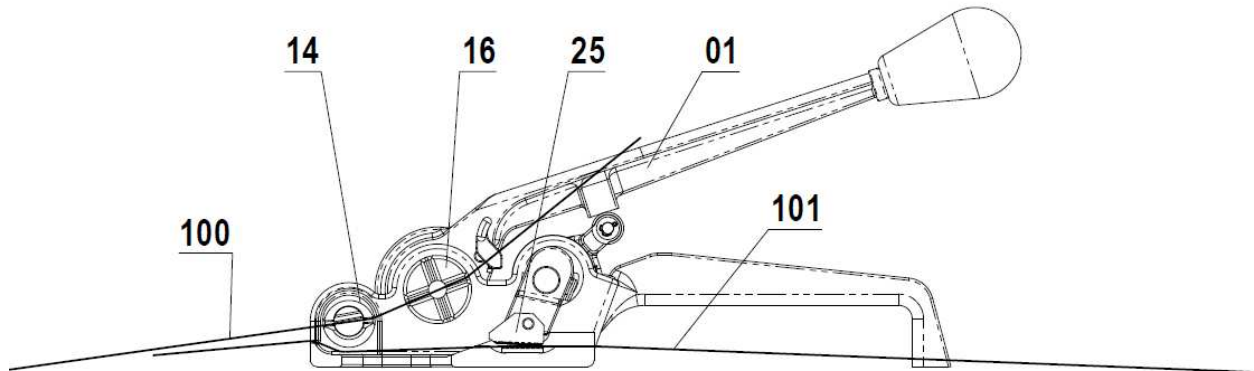


Fig. 3

3. Apply tension by ratcheting **Tension Handle 01** as shown on Fig. 4.

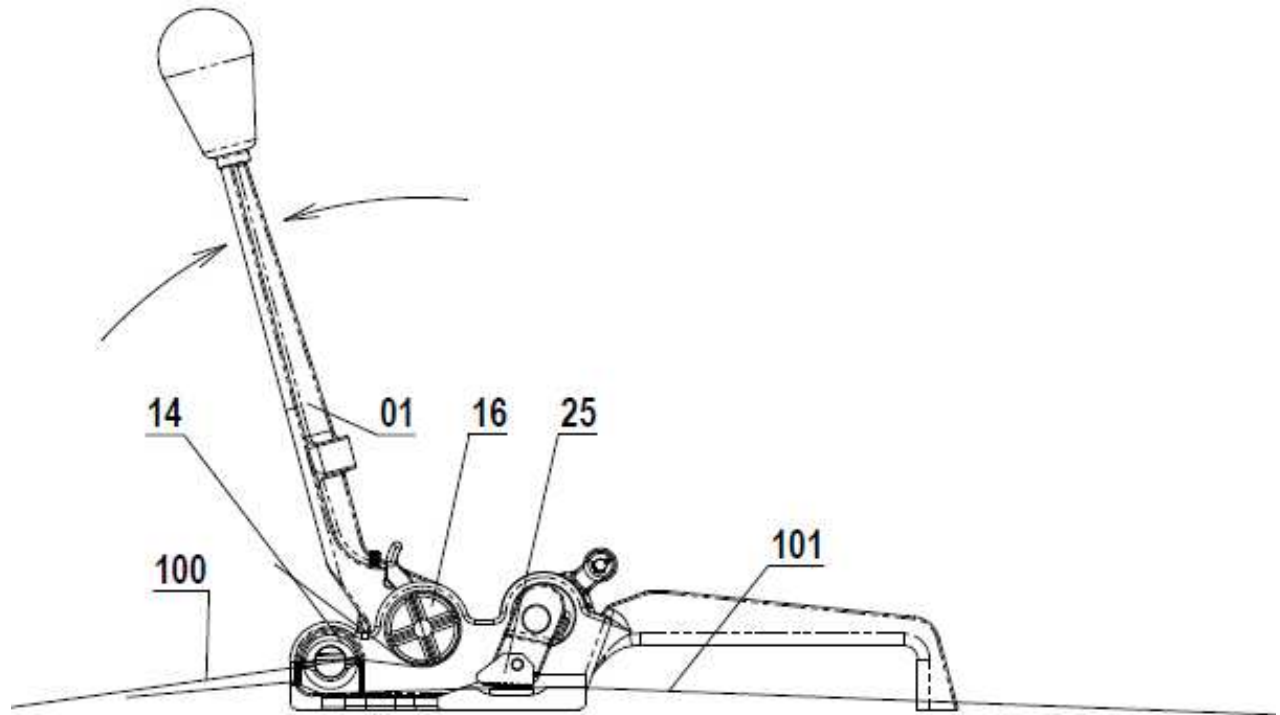


Fig. 4

4. Once satisfactory tension is achieved the strap is ready to be sealed. With the **Seal 103** securely in place use the appropriate **Sealer 104** to snap the **Seal 103**. Place the **Jaws 105** of the sealer on the middle of the **Seal 103** and press the **Handles 106** until they cannot be squeezed any further. Then unclenched the **Handles 106** and remove the **Sealer 104** as shown on Fig. 5

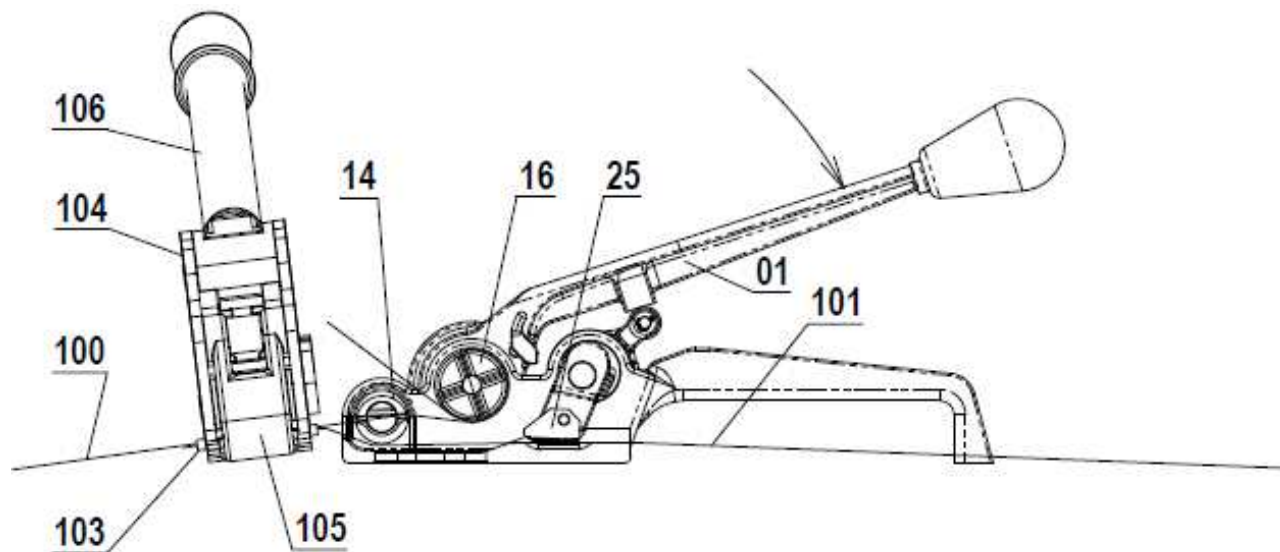


Fig. 5

5. Once the joint is secure the strap is ready to be cut. Push down on the **Tension Handle 01** until the strap is cut and slide the tensioner to the right to release the strap from under the **Gripper Foot 25** as shown on Fig. 6. The operation cycle is now complete.

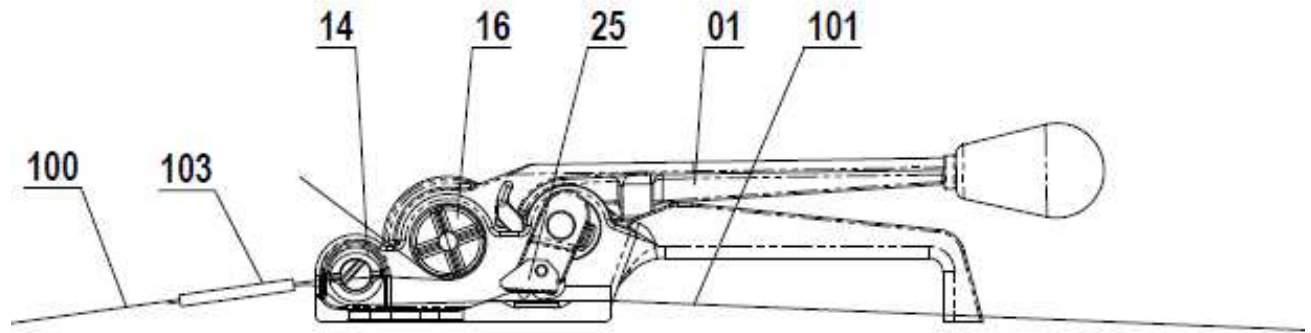


Fig. 6