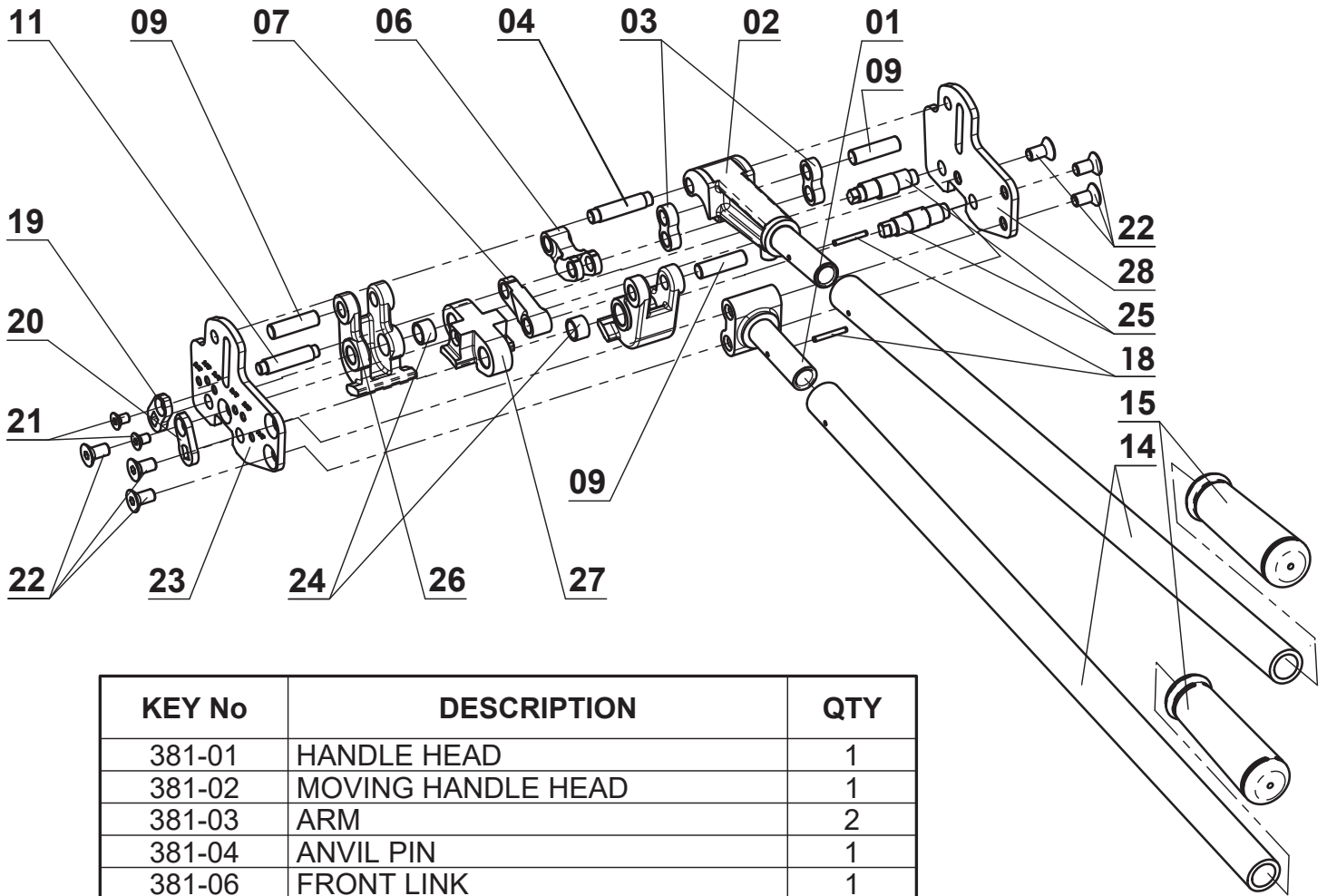


# MUL-381

## Heavy Duty 3/4" PET Sealer



KEY No	DESCRIPTION	QTY
381-01	HANDLE HEAD	1
381-02	MOVING HANDLE HEAD	1
381-03	ARM	2
381-04	ANVIL PIN	1
381-06	FRONT LINK	1
381-07	REAR LINK	1
381-09	JAW PIN	3
381-11	SLIDE PIN	1
381-14	HANDLE LEVER	2
381-15	HANDLE GRIP	2
381-18	SPRING PIN 3x25	2
381-19	ADJUSTMENT PLATE LEFT	1
381-20	ADJUSTMENT PLATE RIGHT	1
381-21	SCREW M6x10	2
381-22	SCREW M8x16	6
381-23	PLATE LEFT	1
381-24	BUSHING	2
381-25	ANVIL PIN	2
381-26	JAW	2
381-27	ANVIL	1
381-28	PLATE RIGHT	1