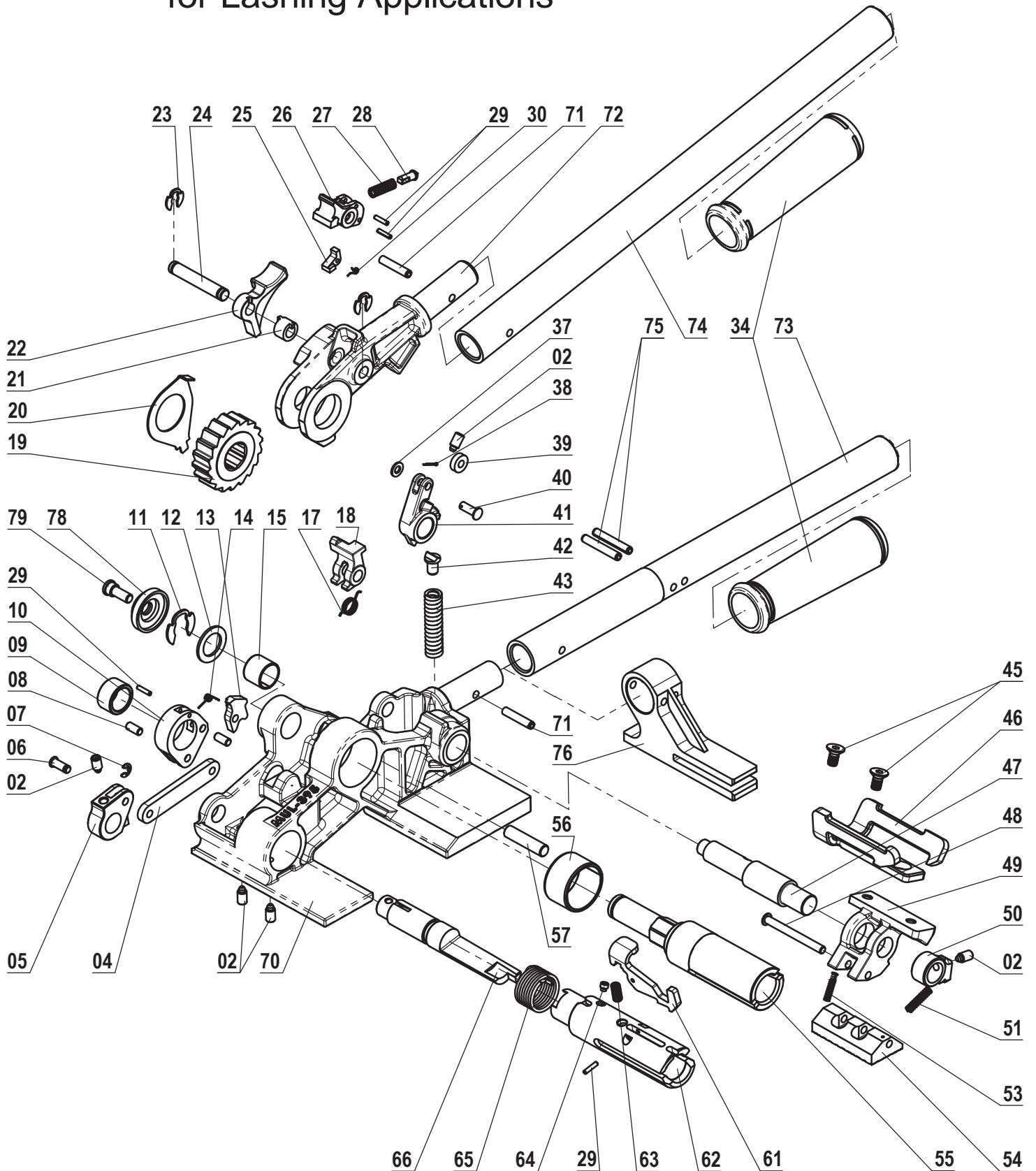


MUL-395

Heavy Duty Tensioner
for Lashing Applications



MUL-395 PART LIST

Heavy Duty Tensioner for Lashing Applications

KEY No	DESCRIPTION	QTY.
395-02	SET SCREW M6x12	5
395-04	ARM	1
395-05	CUTTER LEVER	1
395-06	CUTTER PIN	1
395-07	E-RING 4	1
395-08	ARM PIN	2
395-09	BUSHING	1
395-10	CUTTER BUSHING	1
395-11	KLIPRING 5/8"	1
395-12	WASHER	1
395-13	CUTTER PAWL	1
395-14	SPRING	1
395-15	PLANE BEARING SMALL	1
395-17	RETAINING PAWL SPRING	1
395-18	RETAINING PAWL	1
395-19	RATCHET WHEEL	1
395-20	HANDLE PLATE	1
395-21	COUPLING	1
395-22	CUTTER LEVER	1
395-23	KLIPRING 5/16"	2
395-24	TENSION PAWL SHAFT	1
395-25	RETURN PAWL	1
395-26	TENSION PAWL	1
395-27	TENSION PAWL SPRING	1
395-28	TENSION PAWL SPRING PIN	1
395-29	SPRING PIN 3/32"x7/16"	4
395-30	RETURN PAWL SPRING	1
395-34	HANDLE GRIP	2
395-37	WASHER 5,3	1
395-38	COTTER PIN 1,2x8	1
395-39	ROLLER	1

KEY No	DESCRIPTION	QTY.
395-40	ROLLER PIN	1
395-41	GRIPPER LEVER	1
395-42	SPRING BUSHING	1
395-43	GRIPPER LEVER SPRING	1
395-45	COUNTERSUNK HEAD SCREW M6x12	2
395-46	BUCKLE	1
395-47	GRIPPER SHAFT	1
395-48	GRIPPER FOOT SHAFT	1
395-49	GRIPPER HOLDER	1
395-50	STOP BUSHING	1
395-51	SPRING	1
395-53	GRIPPER FOOT SPRING	1
395-54	GRIPPER FOOT	1
395-55	WINDLASS	1
395-56	PLANE BEARING LARGE	1
395-57	RETAINING PAWL SHAFT	1
395-61*	HOOK	1
395-62*	CUTTER HOUSING	1
395-63*	HOOK SPRING	1
395-64*	SET SCREW M5x5 DOG POINT	1
395-65*	CUTTER SPRING	1
395-66*	CUTTER	1
395-70	BASE	1
395-71	SPRING PIN 5x25	2
395-72	TENSION HEAD	1
395-73	LEVER SHORT	1
395-74	LEVER LONG	1
395-75	SPRING PIN 5x32	2
395-76	STRAPPING SUPPORT	1
395-78	SEALING RING	1
395-79	SCREW	1

* Part of the Cutter Assembly, order Part_No 395-60