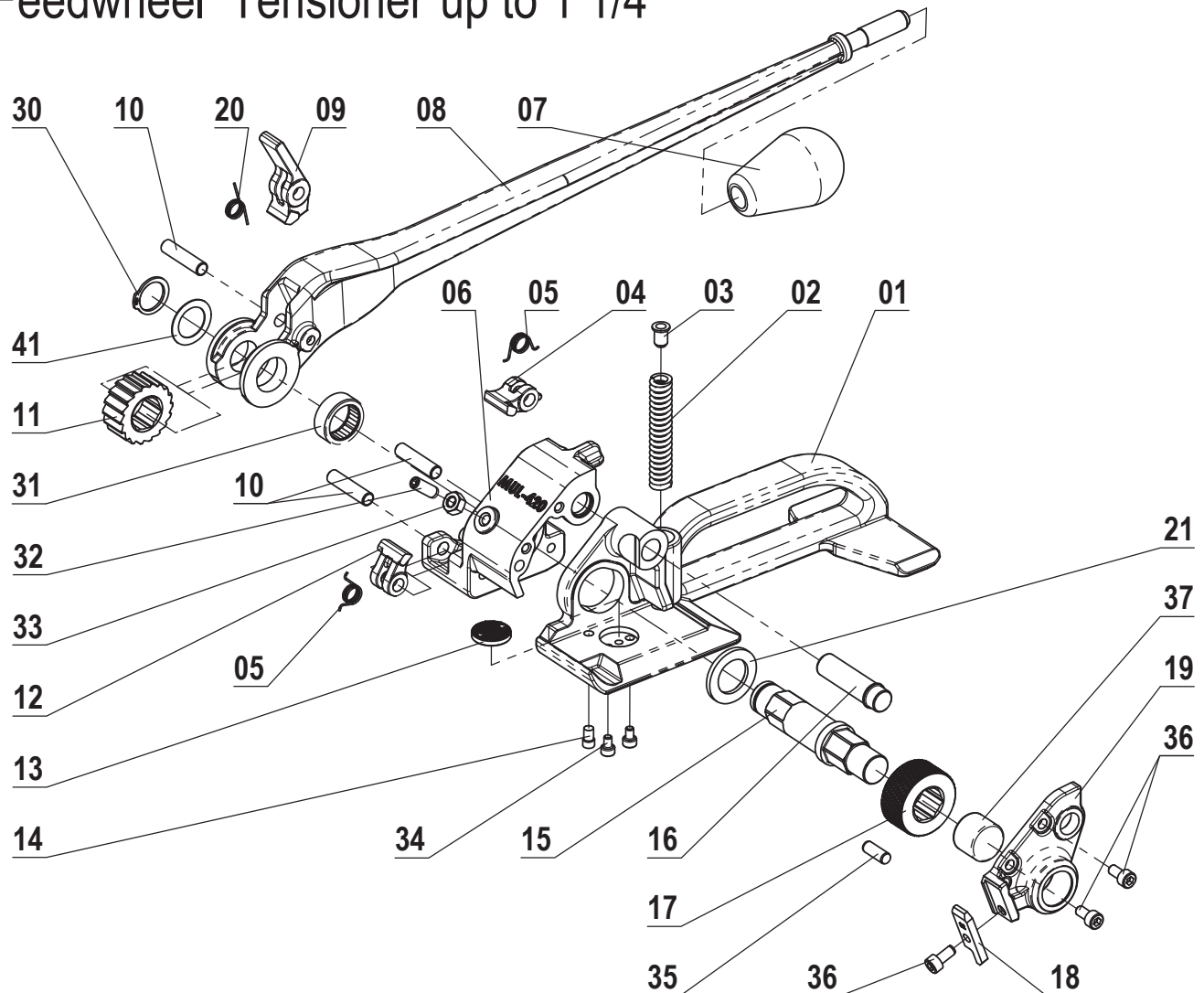


# MUL-420

Heavy Duty Steel

Feedwheel Tensioner up to 1 1/4"



KEYNo	DESCRIPTION	QTY.
420-01	BASE	1
420-02	FEED WHEEL SUPPORT SPRING	1
420-03	SPRING BUSHING	1
420-04	RETAINING PAWL REAR	1
420-05	RETAINING PAWL SPRING	2
420-06	FRAME	1
420-07	KNOB	1
420-08	TENSION HANDLE	1
420-09	TENSION PAWL	1
420-10	PIN	3
420-11	RATCHET WHEEL	1
420-12	RETAINING PAWL FRONT	1
420-13	CLUTCH PLUG	1
420-14	GUIDE SCREW	1
420-15	FEED WHEEL SHAFT	1

KEYNo	DESCRIPTION	QTY.
420-16	FEED WHEEL SUPPORT SHAFT	1
420-17	FEED WHEEL	1
420-18	STRAP GUIDE 19-32	1
420-19	COVER	1
420-20	PAWL SPRING	1
420-21	WASHER	1
420-30	RETAINING RING 17	1
420-31	BEARING LARGE	1
420-32	ADJUSTMENT SCREW M6x16	1
420-33	NUT M6	1
420-34	SCREW M4x6	2
420-35	DOWEL PIN 6x16	1
420-36	SCREW M5x10	3
420-37	BEARING SMALL	1
420-41	WASHER	1