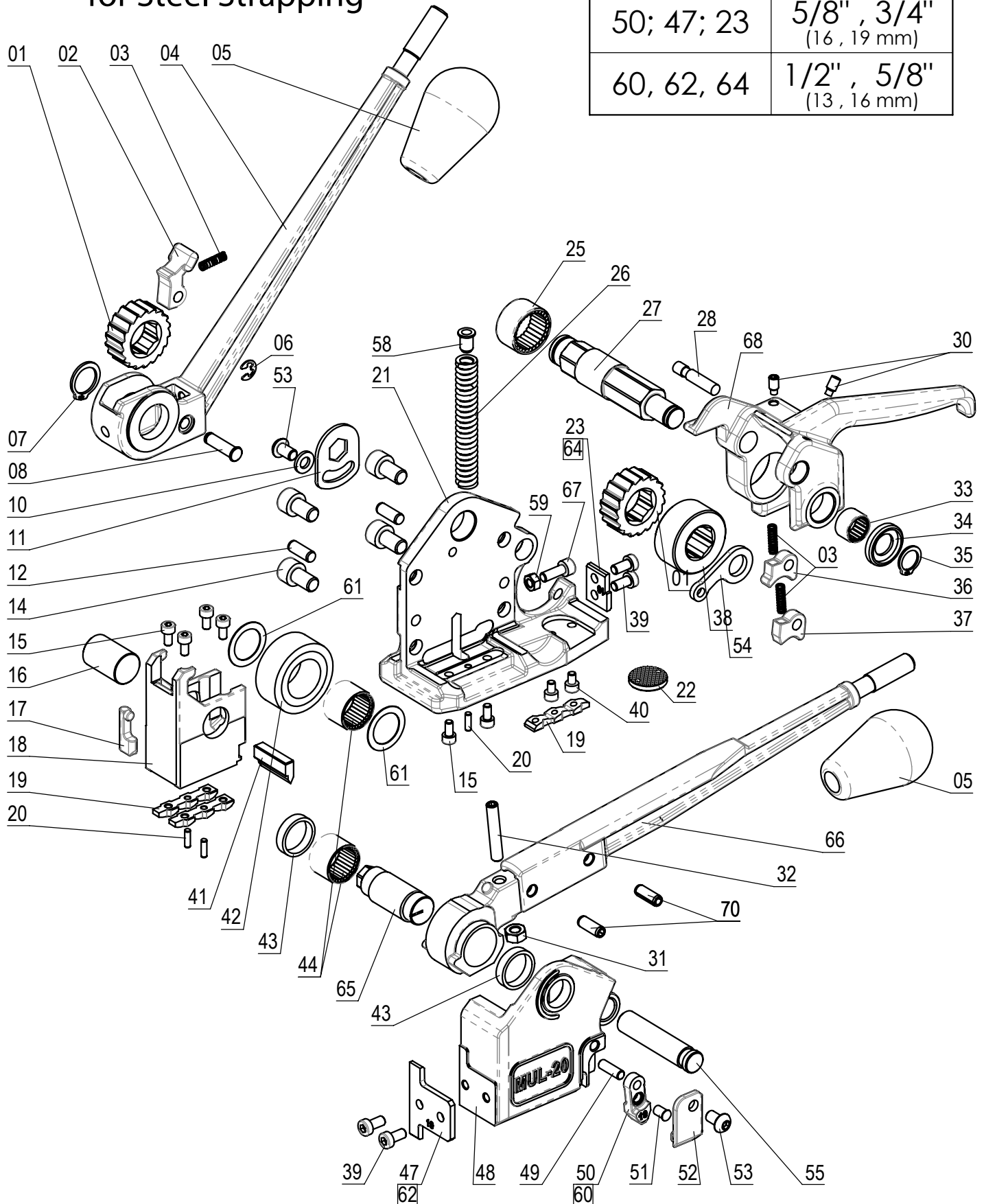


MUL-20

Sealless Combination Tool for Steel Strapping

50; 47; 23	5/8" , 3/4" (16 , 19 mm)
60, 62, 64	1/2" , 5/8" (13 , 16 mm)



MUL-20 PARTS LIST

Sealless Combination Tool for Steel Strapping

KEY No	PART DESCRIPTION	QTY
20-01	RATCHET WHEEL	2
20-02	TENSION PAWL	1
20-03	PAWL SPRING	3
20-04	TENSION HANDLE	1
20-05	KNOB	2
20-06	E-RING EXTERNAL SERIES 7/32"	1
20-07	HEAVY DUTY EXTERNAL RETAINING RING 16	1
20-08	PIN	1
20-10	WASHER	1
20-11	ADJUSTMENT PLATE	1
20-12	DOWEL PIN 6x16	2
20-14	SCREW M8x14	4
20-15	SCREW M4x8	6
20-16	DIE HOLDER AXLE	1
20-17	STRAP LIFTER	1
20-18	DIE HOLDER	1
20-19	DIE	3
20-20	DOWEL PIN 3x10	3
20-21	FRAME (sold as FRAME ASSEMBLED only)	1
20-22HT	CLUTCH PLUG	1
20-23	STRAP GUIDE REAR 5/8" - 3/4"	1
20-25	LARGE BEARING	1
20-26	FEED WHEEL SUPPORT SPRING	1
20-27	FEED WHEEL SHAFT	1
20-28	RETAINING PAWL SHAFT	1
20-30	SET SCREW M5x10	2
20-31	NUT M6	1
20-32	ADJUSTMENT SCREW M6x35	1
20-33	SMALL BEARING	1
20-34	WASHER	1
20-35	HEAVY DUTY EXTERNAL RETAINING RING 12	1
20-36	RETAINING PAWL LONG	1
20-37	RETAINING PAWL SHORT	1
20-38HT	FEED WHEEL	1
20-39	SCREW M5x10	4
20-40	SCREW M4x6	2
20-41	CUTTER BLADE	1
20-42	CAM FOLLOWER	1
20-43	BUSHING	2
20-44	DIE HOLDER BEARING	2
20-47	STRAP GUIDE FRONT 5/8" - 3/4"	1
20-48	SIDE COVER (sold as FRAME ASSEMBLED only)	1
20-49	PIN	1
20-50	STRAP GUIDE PAWL 5/8" - 3/4"	1
20-51	PIN	1
20-52	COVER	1
20-53	SCREW M6x10	2
20-54	GUIDE ARM	1
20-55	FEED WHEEL SUPPORT SHAFT	1
20-58	SPRING BUSHING	1
20-59	NUT M5	1
20-60	STRAP GUIDE PAWL 1/2" - 5/8"	1
20-61	WASHER	2
20-62	STRAP GUIDE FRONT 1/2" - 5/8"	1
20-64	STRAP GUIDE REAR 1/2" - 5/8"	1
20-65	ECCENTRIC SHAFT	1
20-66	SEALING HANDLE	1
20-67	GRIPPER ADJUSTMENT SCREW M5x14	1
20-68	FEED WHEEL SUPPORT HANDLE	1
20-70	SPRING PIN 6x16	2