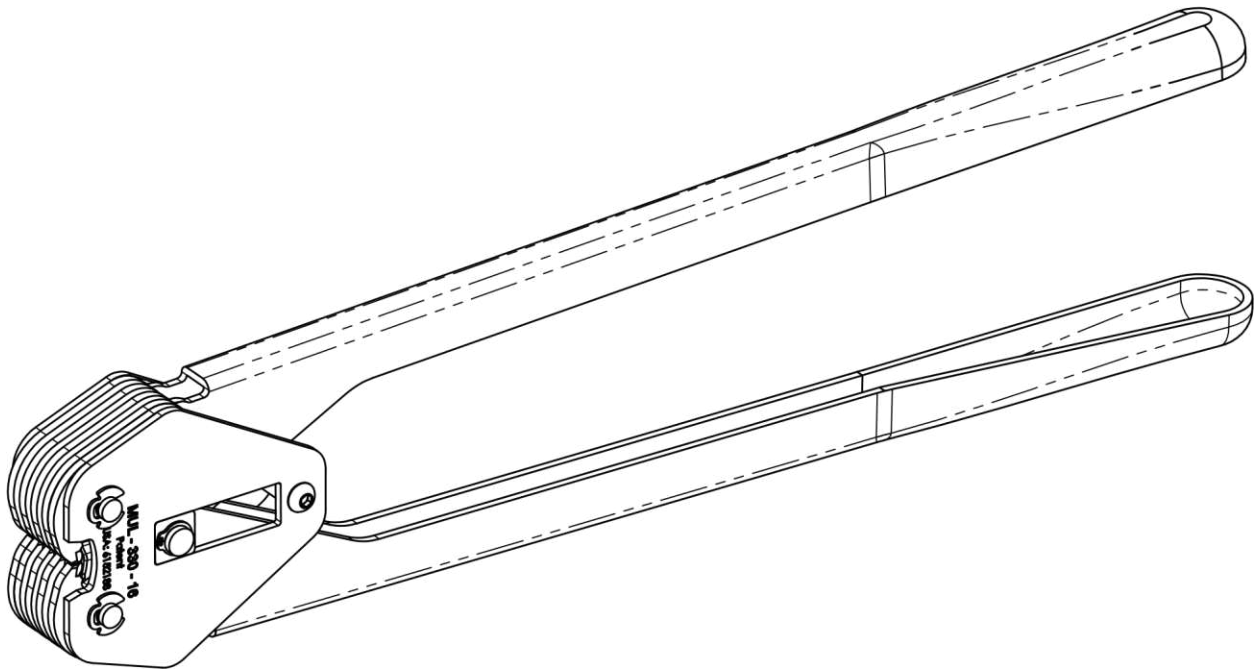


MUL-330 Sealer for POLYESTER

Operation Manual



Strap Type	Polyester (PET)
Strap Width	5/8" (16 mm)
Strap Thickness	Up to 0.040" (1 mm)
Joint Type	Seal
Weight	4.5 lbs (2 kg)
Handle Length	17.5"

MUL-330 Operation Manual

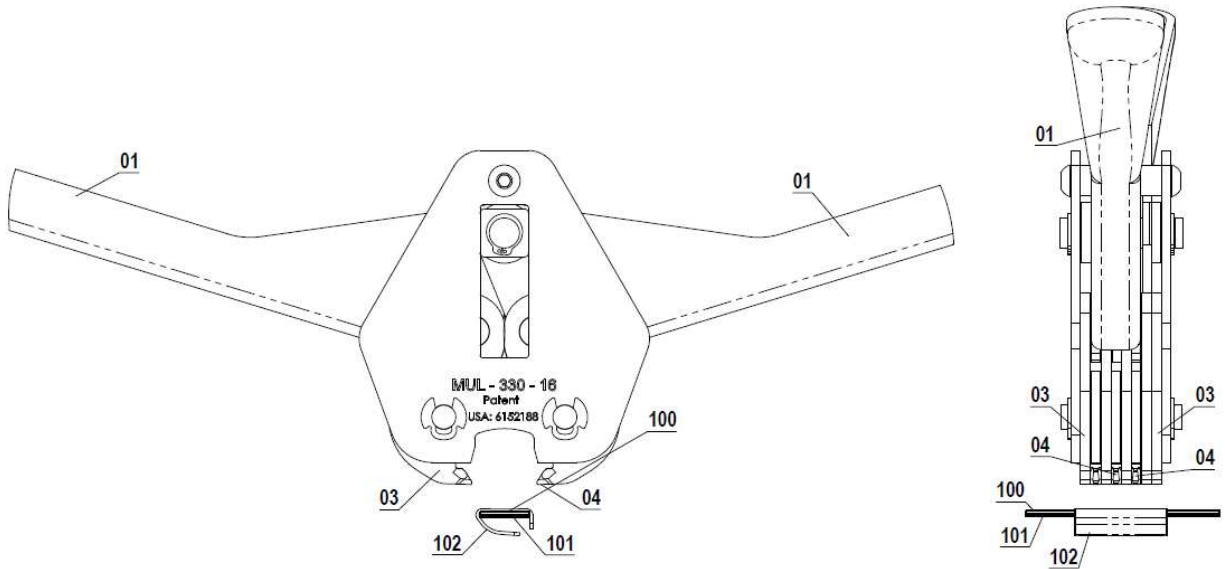


Fig. 1 – Starting Position

1. Place **Outer Jaws 03** and **Inner Jaws 04** of the tool across the middle of the **Seal 102** as shown on Fig. 2.

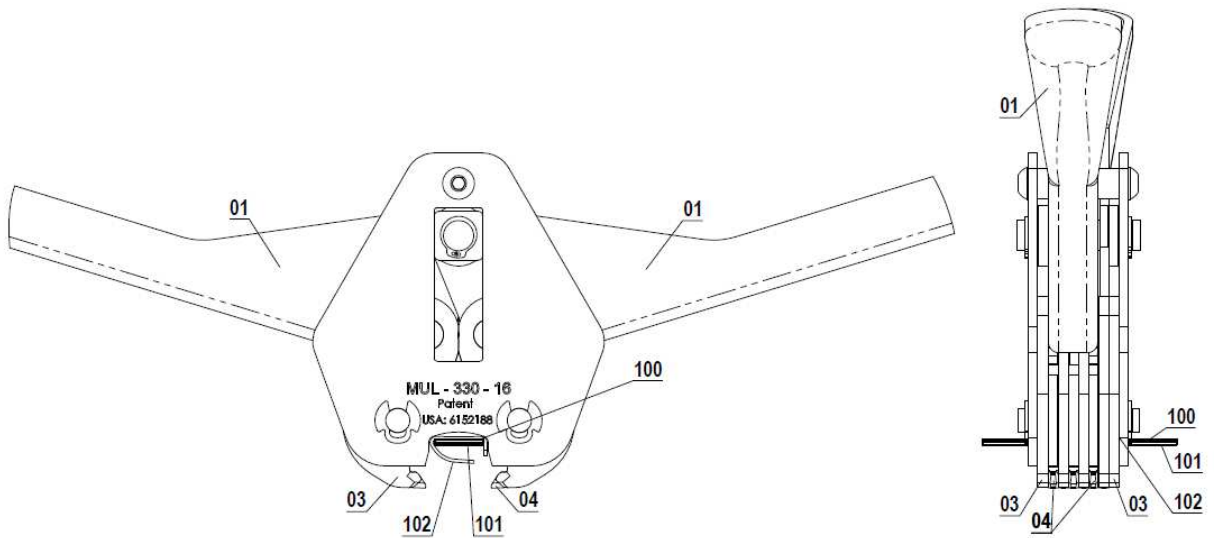


Fig. 2

2. Keeping the sealer in vertical position press the **Handles 01** together till they cannot be squeezed no further as shown on Fig. 3.

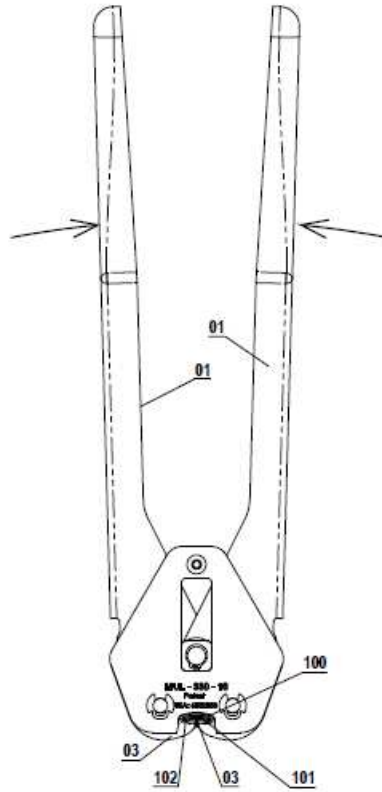


Fig. 3

3. Unclench the **Handles 01** and remove the sealer from the seal as shown on Fig. 4. The operation cycle is now complete.

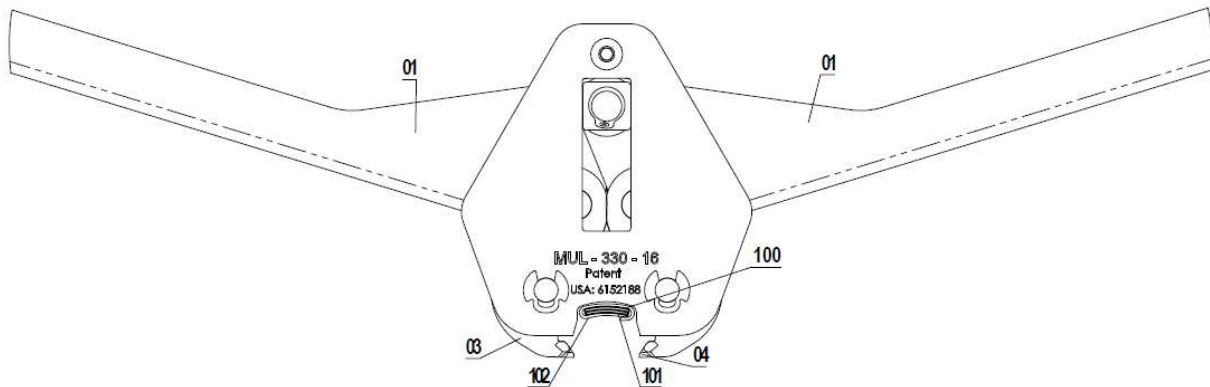


Fig. 4