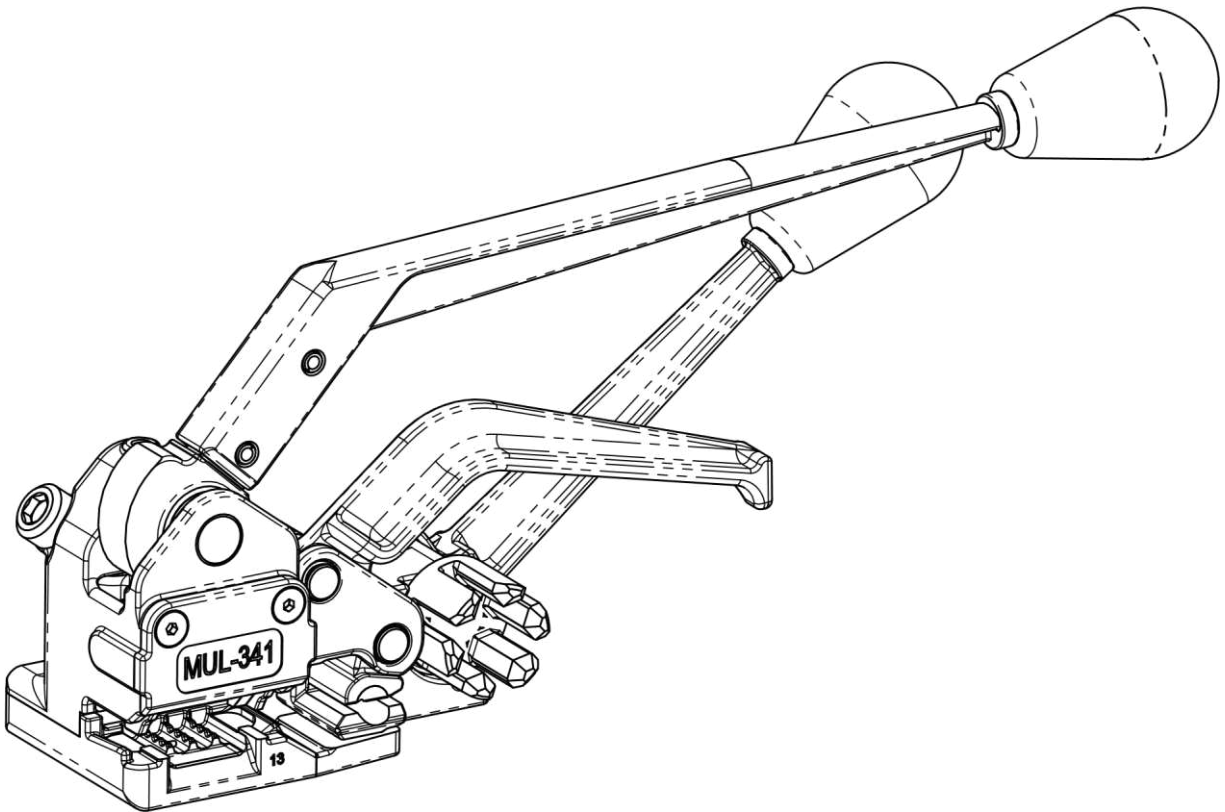


MUL-341 Combination Tool for POLYPROPYLENE

Operation Manual



Strap Type	Polypropylene (PP)
Strap Width	1/2" (13 mm)
Strap Thickness	Up to 0.031" (0.8 mm)
Joint Type	Seal ST-340
Weight	6.6 lbs (3 kg)
Footprint	L: 4.75"; W: 3"

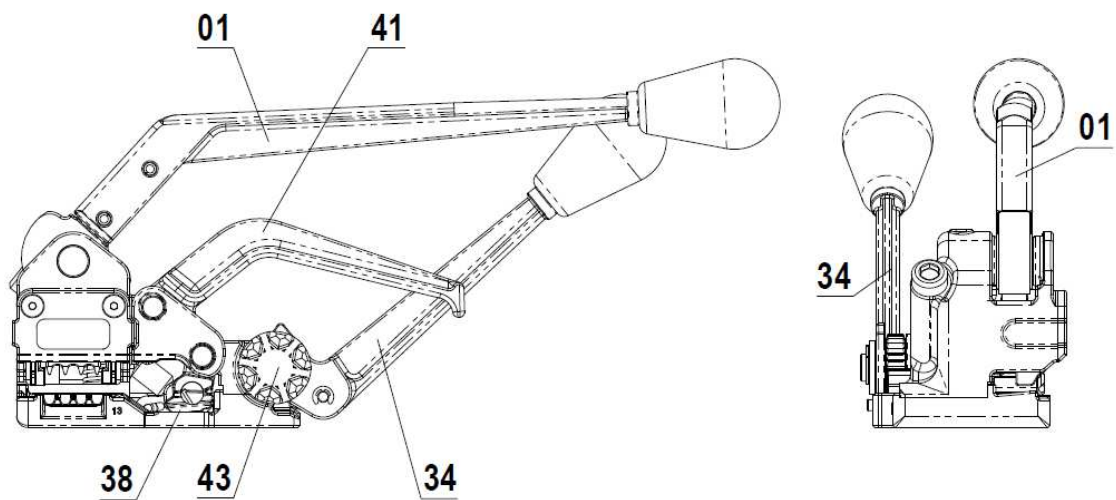


Fig. 1 – Starting Position

1. Load a **Seal 102** as shown on Fig. 2. For MUL-341 use ST-340 open seals for 1/2" (12mm) strap.

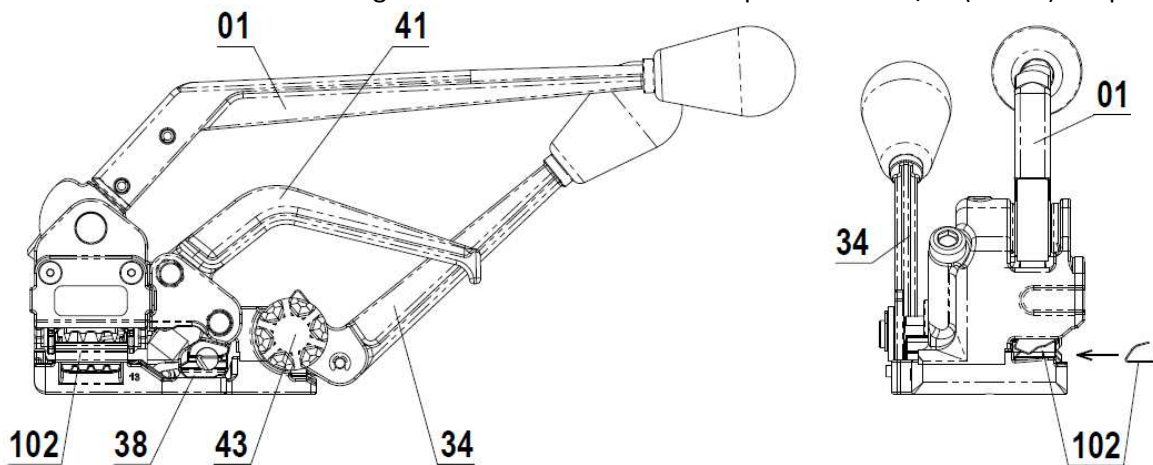


Fig. 2

2. Pull up on **Handle 41** to raise **Gripper Head 38**. Load bottom strap **101** inside the seal **102**, under **Windlass 43** and under **Gripper Head 38** and leave at least 1" of the strap extended out from the front of the tool as shown on Fig. 3.

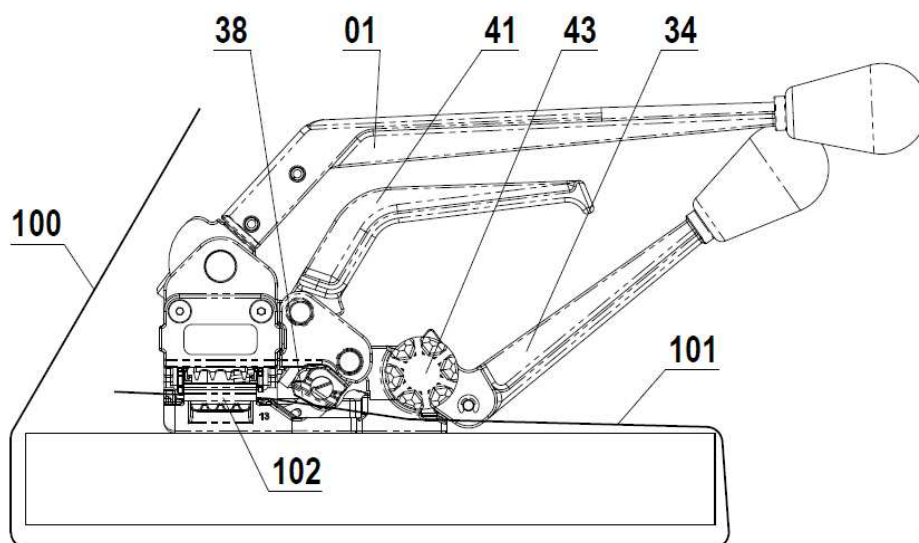


Fig. 3

3. Release **Handle 41** and load upper strap **100** inside the seal **102**, through the cutter and through **Windlass 43** as shown on Fig. 4.

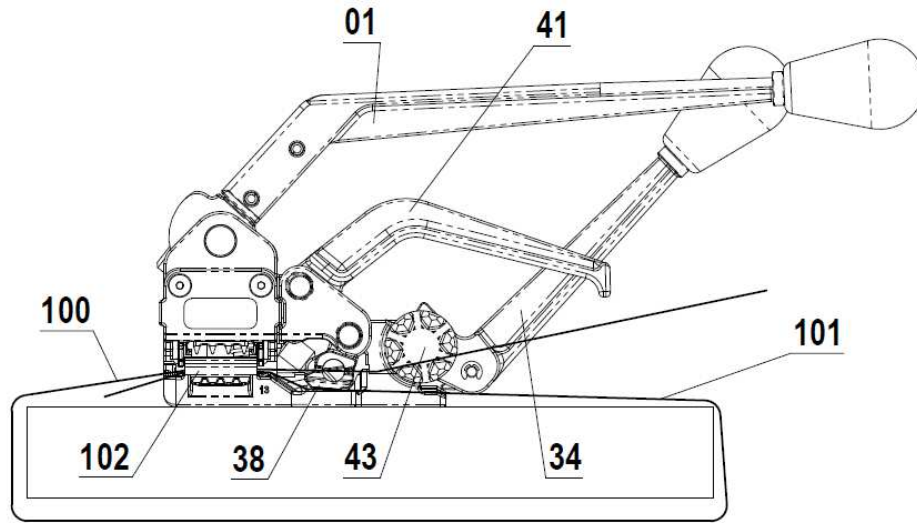


Fig. 4

4. Apply tension by ratcheting **Tension Handle 34** as shown on Fig. 5.

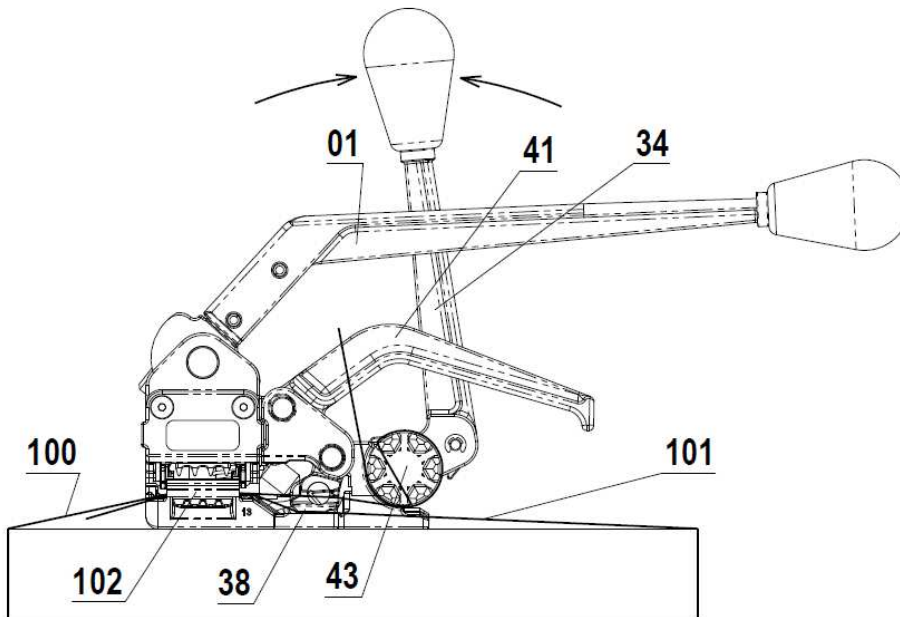


Fig. 5

5. Once satisfactory tension is achieved return **Tension Handle 34** back and push **Sealing Handle 01** forward as shown on Fig. 6 to close the seal.

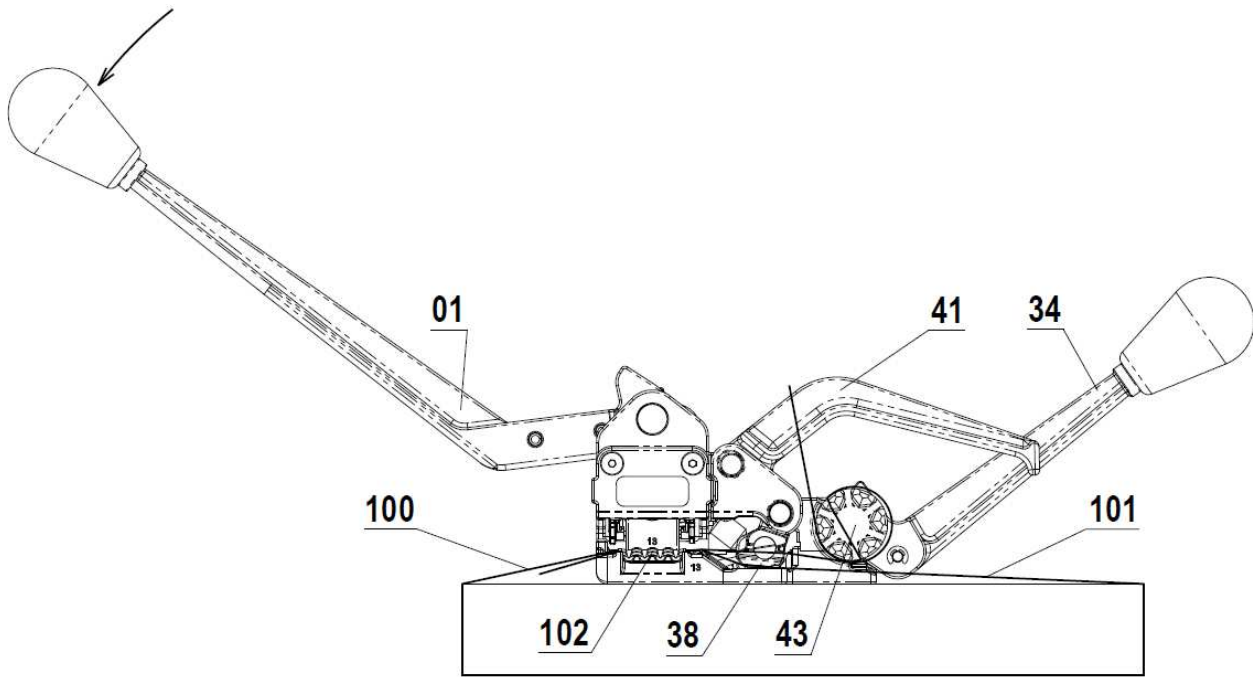


Fig. 6

6. Return **Sealing Handle 01** back and pull up **Handle 41** to cut the strap. The operation cycle is now complete.

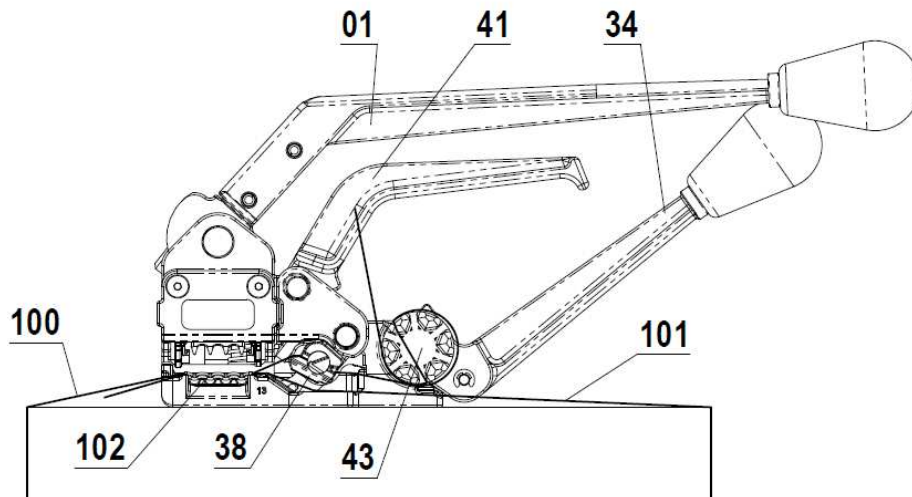


Fig. 7