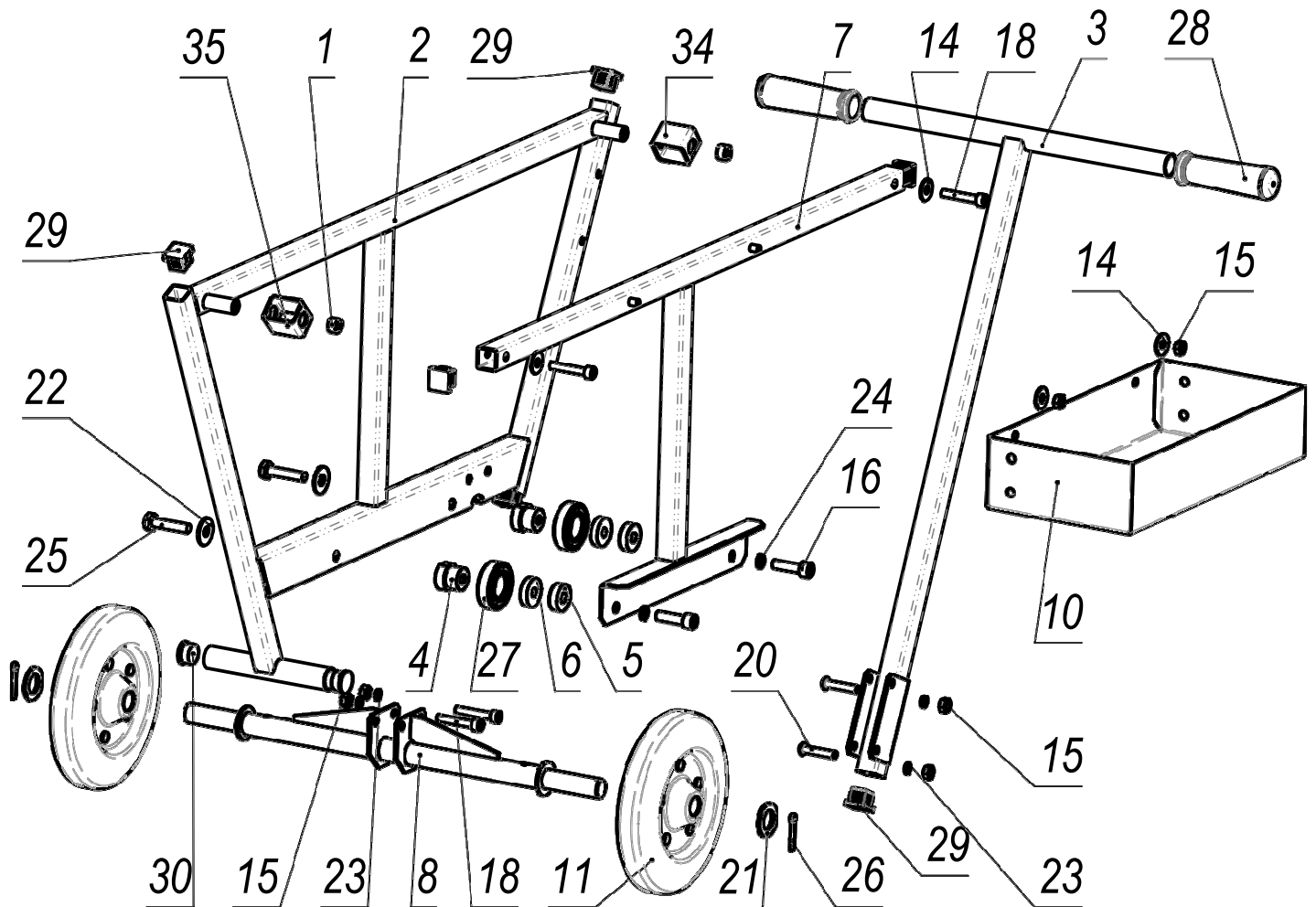


# TP-104A

## steel strapping dispenser for 32 and 20 mm



Pos.	Item No.	Description	Qty	Pos.	Item No.	Description	Qty
01	104A-00-01	Spacer	2	18	104A-18	Screw M8x45.88.01 GOST 11738-84	4
02	104A-01-00	Frame	1	20	104A-20	Screw M8x40.10.9.ЦБ ISO 7380	2
03	104A-03-00	Handle	1	21	104A-21	Washer (Washer 20.02.01 GOST 11371-80 work material)	2
04	104A-00-03	Bearing axle	2	22	104A-22	Washer 10.02.01 GOST 6958-78	2
05	104A-00-04	Spacer	2	23	104A-23	Washer 8.65Г.01 GOST 6402-70	4
06	104A-00-05	Spacer	2	24	104A-24	Washer 10.65Г.01 GOST 6402-70	2
07	104A-02-00	Side frame	1	25	104A-25	Bolt M10x45.56.01 GOST 7805-80	2
08	104A-04-00-1	Wheel base	1	26	104A-26	Gotter 5x28.01 GOST 397-97	2
10	104A-10	Box	1	27	104A-27	Bearing 80205 GOST 7242-81	2
11	104A-11	SR 0806 wheel	2	28	104A-28	Vinyl handle	2
14	104A-14	Washer 8.02.01 GOST 6958-78	4	29	104A-29	Plug ZK-25x25	6
15	104A-15	Nut M8-7H.68.01 GOST 5927-70	6	30	104A-30	Plug D25x2	2
16	104A-16	Screw M10x35.88.01 GOST 11738-84	2	34	104A-34	Bracket	2
				35	104A-35	Bracket	2

Bracket pos.34 – for 32mm strapping  
 Bracket pos.35 – for 20 mm strapping